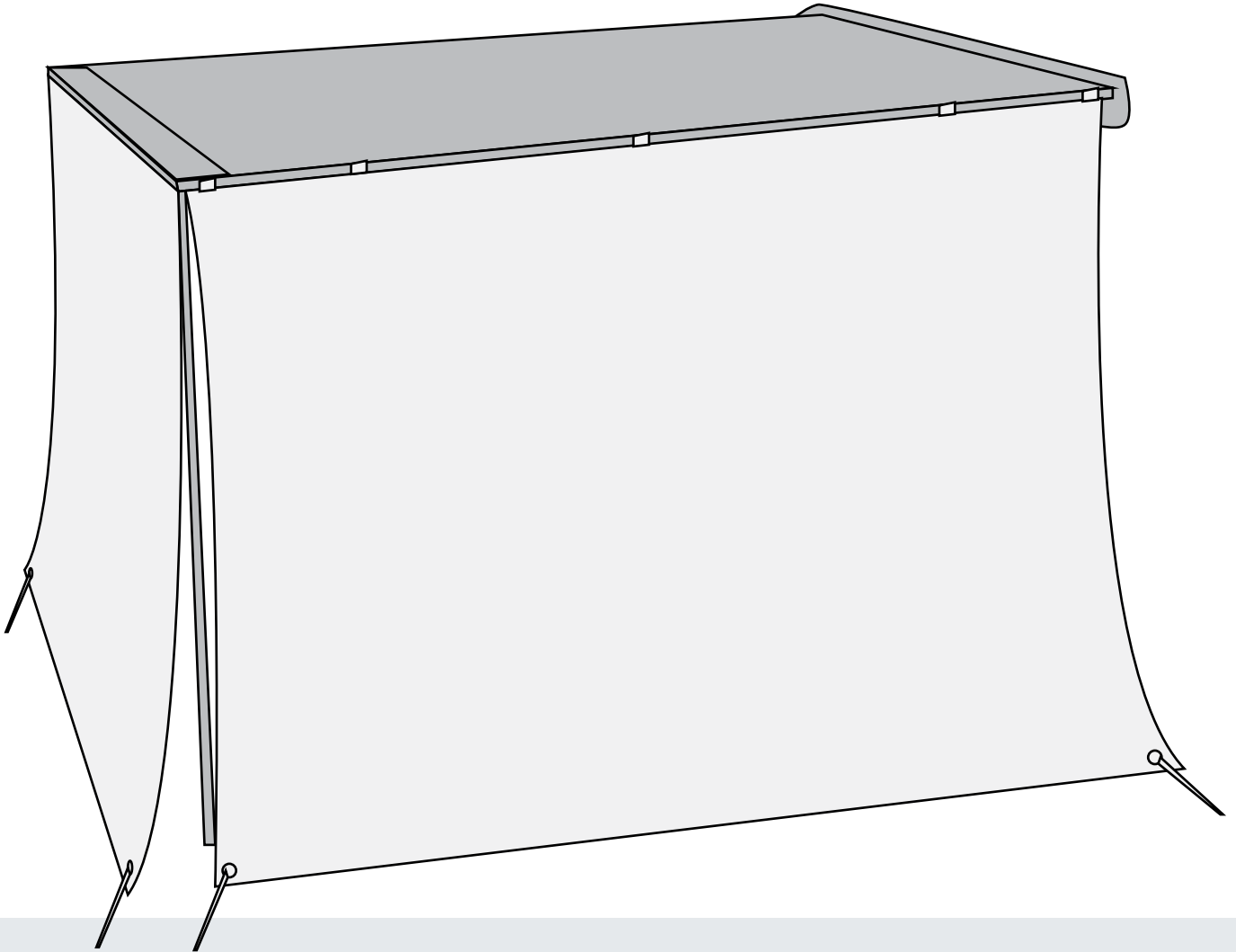




OVS

OVERLAND VEHICLE SYSTEMS

Nomadic 90° Awning Wall Instructions



**CAREFULLY READ INSTRUCTIONS
PRIOR TO THE FIRST USE OF THE 90
DEGREE AWNING WALL**

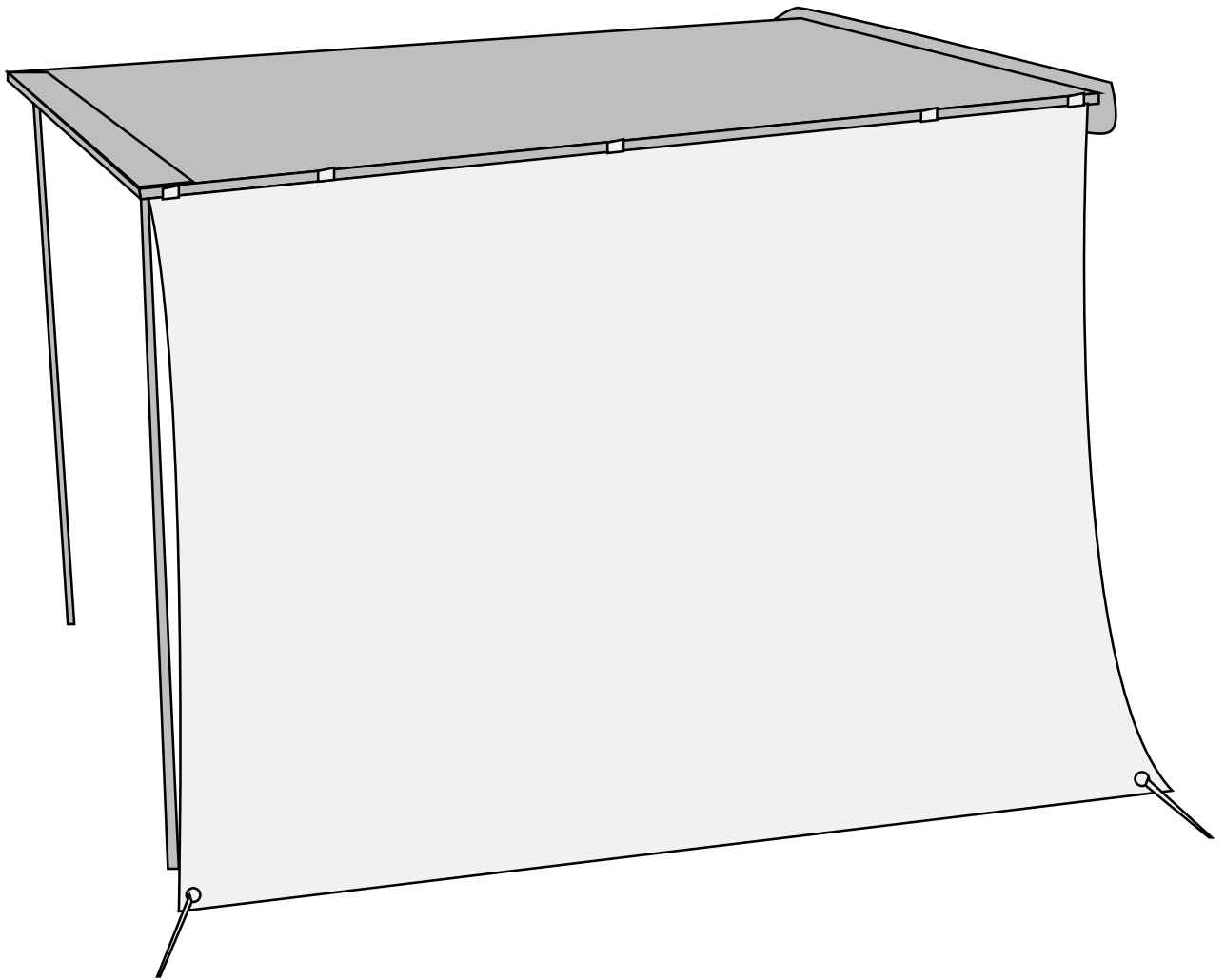
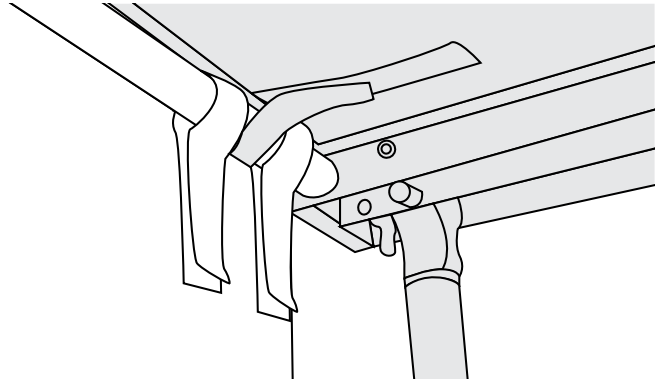
Nomadic 90 Degree Awning Walls

SET-UP & CARE INSTRUCTIONS

HD SIDE SHADE WALLS

1

Attach the Wall to the Pole via Velcro Strips



Then Stake Down the Grommets at the Bottom of the Wall Using the Provided Guide Lines

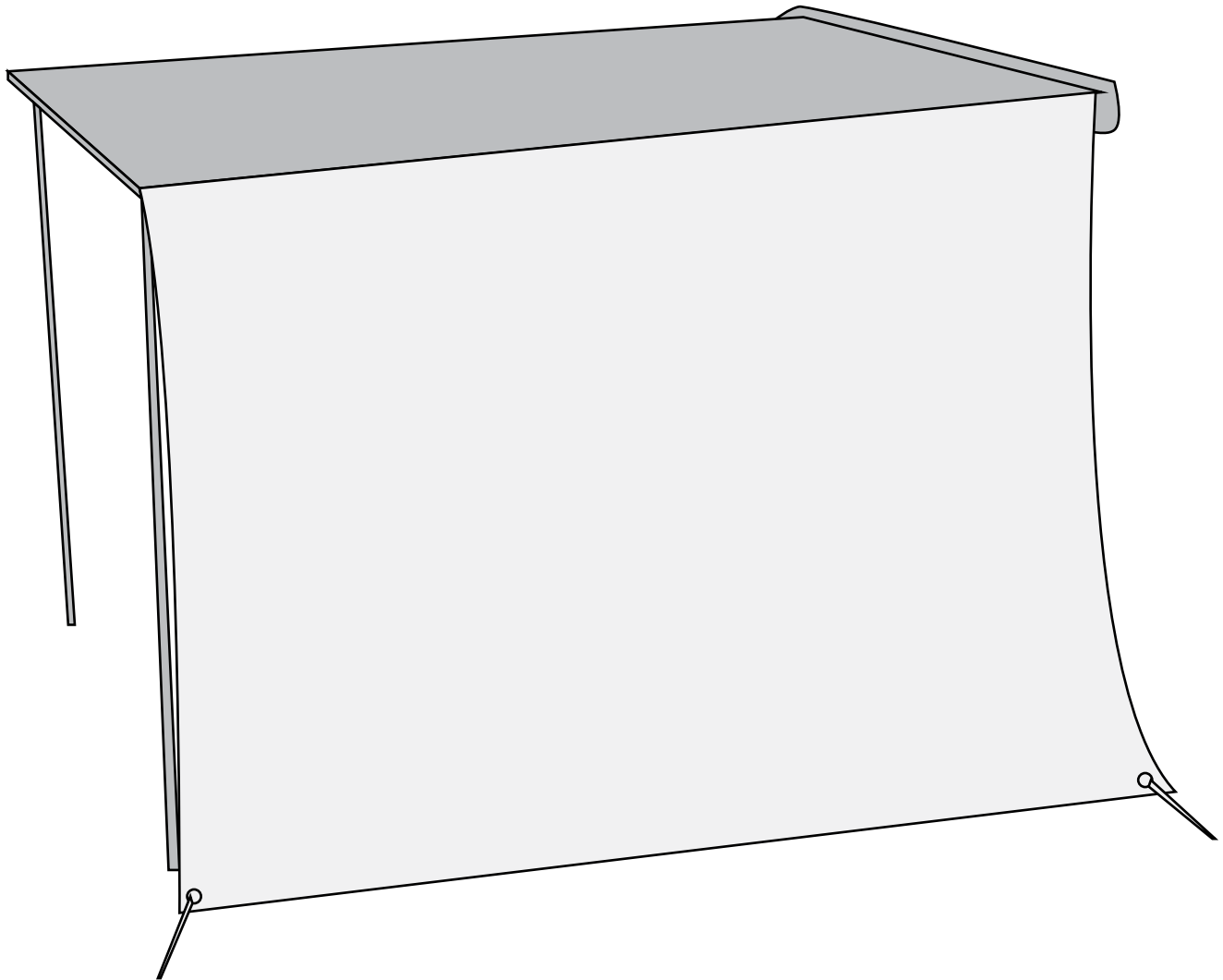
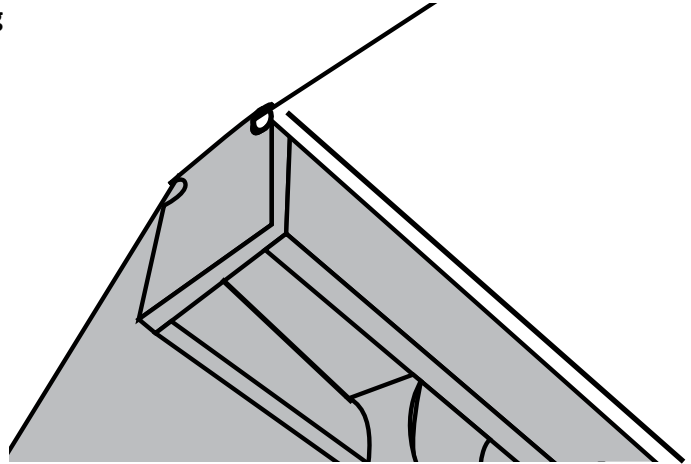
Nomadic 90 Degree Awning Walls

SET-UP & CARE INSTRUCTIONS

XD SIDE SHADE WALLS

2

Attach Via the C-Channel on the Sides of the Awning



Then Stake Down the Grommets at the Bottom of the Wall Using the Provided Guide Lines

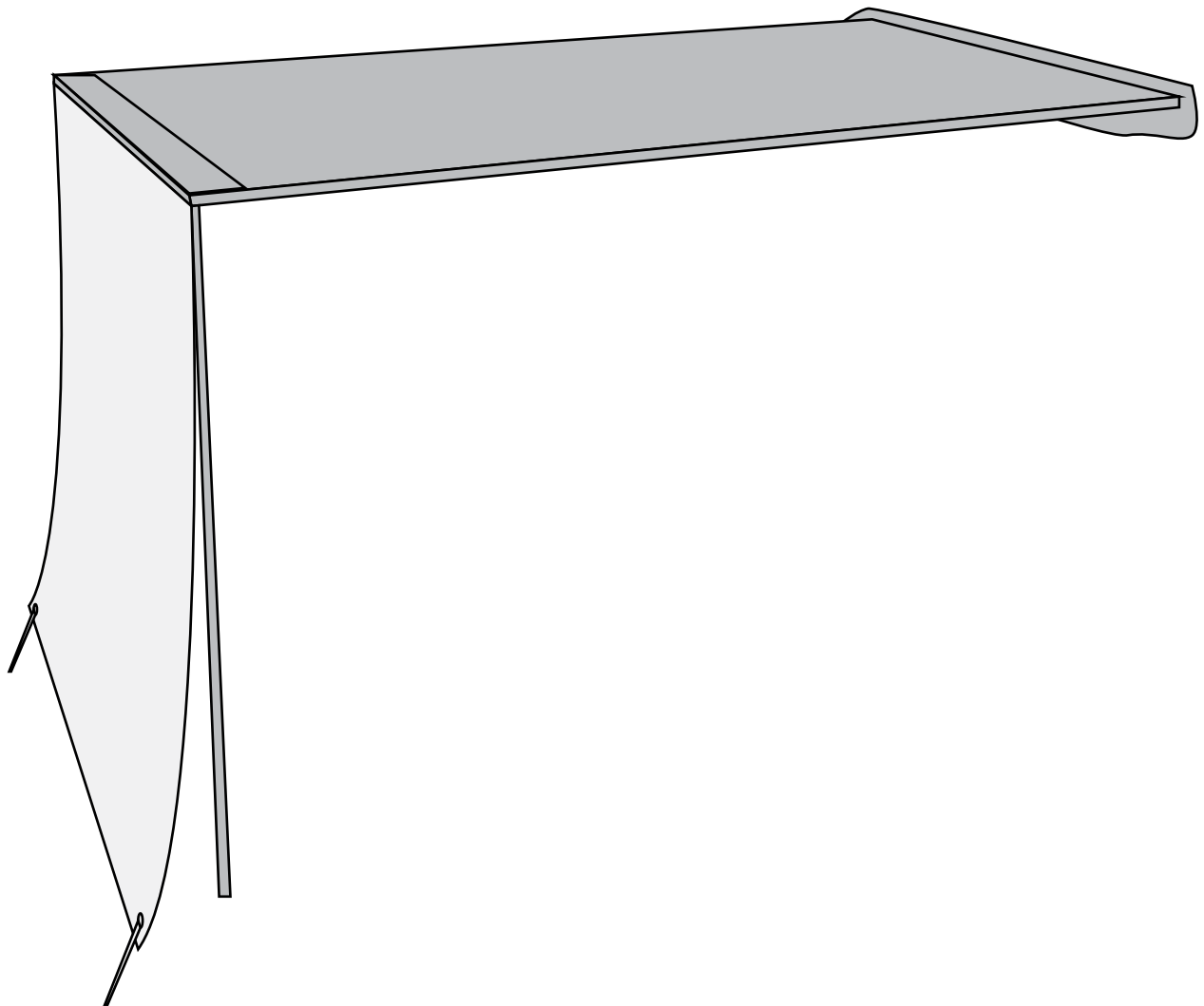
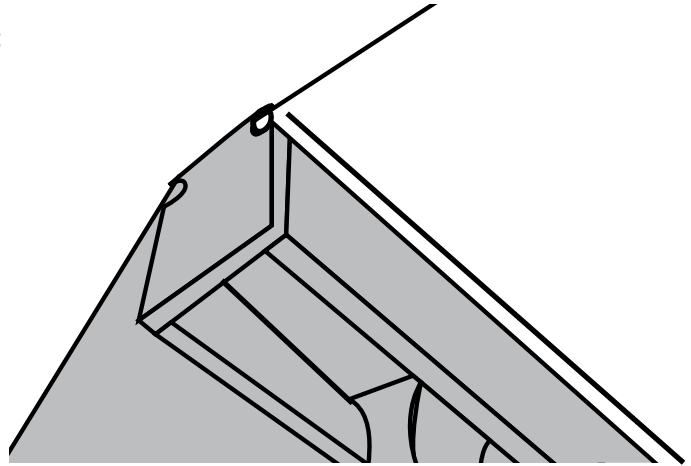
Nomadic 90 Degree Awning Walls

SET-UP & CARE INSTRUCTIONS

HD FRONT SIDE WALL

3

Attach via the C-Channel Slider Located on the Front side of the awning.



Then Stake Down the Grommets at the Bottom of the Wall Using the Provided Guide Lines

Nomadic 90 Degree Awning Walls

SET-UP & CARE INSTRUCTIONS

CLEANING

Wash with Cold Water and A Soft Brush or Towel to Avoid Damaging the Weatherproof Coating

WARRANTY

4 Year Fabric Warranty

4 year Structural Warranty

WARNINGS

- Read and follow all instructions before installation or use.
- Inspect all components before each use. Do not use if parts are damaged, bent, torn, or missing.
- Ensure the awning wall is properly attached and secured before use. Loose attachments may cause failure or detachment.
- Always use included stakes, guy lines, and tie-down points when required.
- Do not use in high winds, storms, heavy rain, snow, or other severe weather conditions.
- Remove awning wall during unsafe weather conditions.
- Never leave the awning wall unattended in changing weather.
- Do not allow water to pool on fabric surfaces, as excess weight may cause damage or collapse.
- Keep all flames, heaters, grills, stoves, and other heat sources away from the awning wall fabric. Material may melt, burn, or ignite.
- Maintain adequate ventilation when enclosed. Do not use fuel-burning appliances inside enclosed spaces due to fire, carbon monoxide, or suffocation hazards.
- Keep children and pets away from moving parts, poles, stakes, and tensioned lines.
- Stakes and guy lines may create tripping hazards. Use caution when walking around setup area.
- Do not overtighten zippers, straps, poles, or tension points. Excess force may cause damage.
- Use caution when opening or closing zippers to avoid pinching fingers or snagging fabric.
- Install only on stable, level ground whenever possible.
- Do not hang heavy objects from the awning wall, zippers, poles, or support structure.
- Remove the awning wall before driving the vehicle. Never operate a vehicle with awning wall installed.
- Dry fabric completely before storage to prevent mold, mildew, and material deterioration.
- Store in a clean, dry location away from direct sunlight when not in use.
- Failure to follow these warnings may result in property damage, serious injury, or death.



DO YOU NEED OUR HELP?



CUSTOMER SUPPORT 833-226-4863



SALES@OVERLANDVEHICLESYSTEMS.COM

WANT TO SHOW US YOUR RIG?
CHECK OUT OUR SOCIAL!

@overlandvehiclesystems



APRIL 2026